

Frame and base for the enginko[®] snow depth sensors

Built in aluminium, fiberglass and polycarbonate, designed for mounting the enginko[®] EGK-LW20LT02 and EGK-LW20LT12 snow depth sensors.

Robust and easy to assemble, it simplifies installation even in places that are hard to reach. All you need is a small flat area and a few tools to set it up and make the sensor immediately operational.



Quick assembly



Severe weather proof



Designed for sensors

Specific

Designed for snow depth sensors EGK-LW20LT02 and EGK-LW20LT12



Safe

The support base allows **excellent stability**

Resistant

Built with materials **sturdy** and **durable**



Assembly is simple:
just a few tools are needed

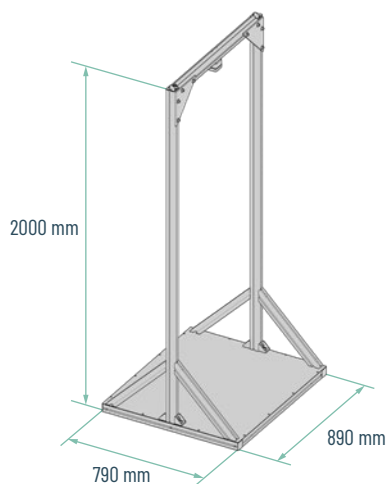
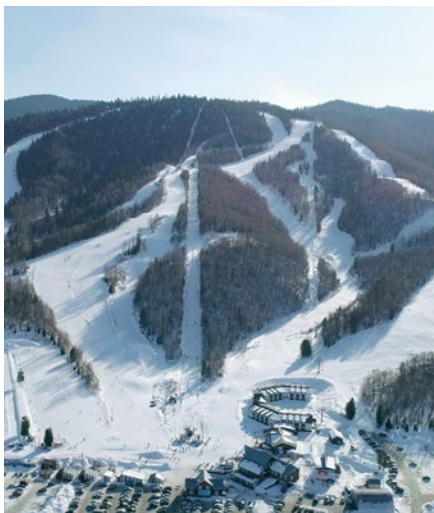


The yellow color makes it visible even from afar

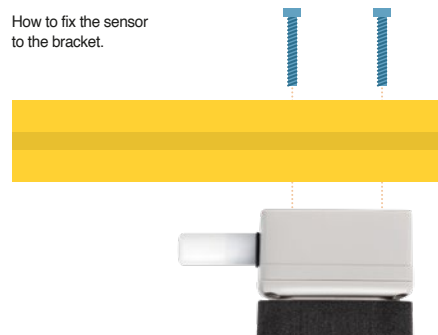
EGK-DMRA02

Applications

- Road services
- Ski resorts
- Municipal administrations
- Hotel facilities
- Civil protection
- Weather monitoring



How to fix the sensor to the bracket.



Technical specifications

- Materials: aluminium, fibreglass, polycarbonate
- Two packages:
 - 1) dimensions 200x24x11cm, weight 7kg
 - 2) dimensions 96x82x22cm, weight 26kg
- Dimensions of assembled structure: 890x790x2000mm
- Storage temperature: -30°C ÷ +65°C
- Working temperature: -30°C ÷ +65°C
- Weight: 33kg

Items

EGK-DMRA02: Complete snow depth station (base + frame)

Spare parts:

EGK-DMRA00: Metal plate for snow depth station

EGK-DMRA01: Frame for snow depth station

EGK-DMRA02
official web page:



cod. 06-24 v01